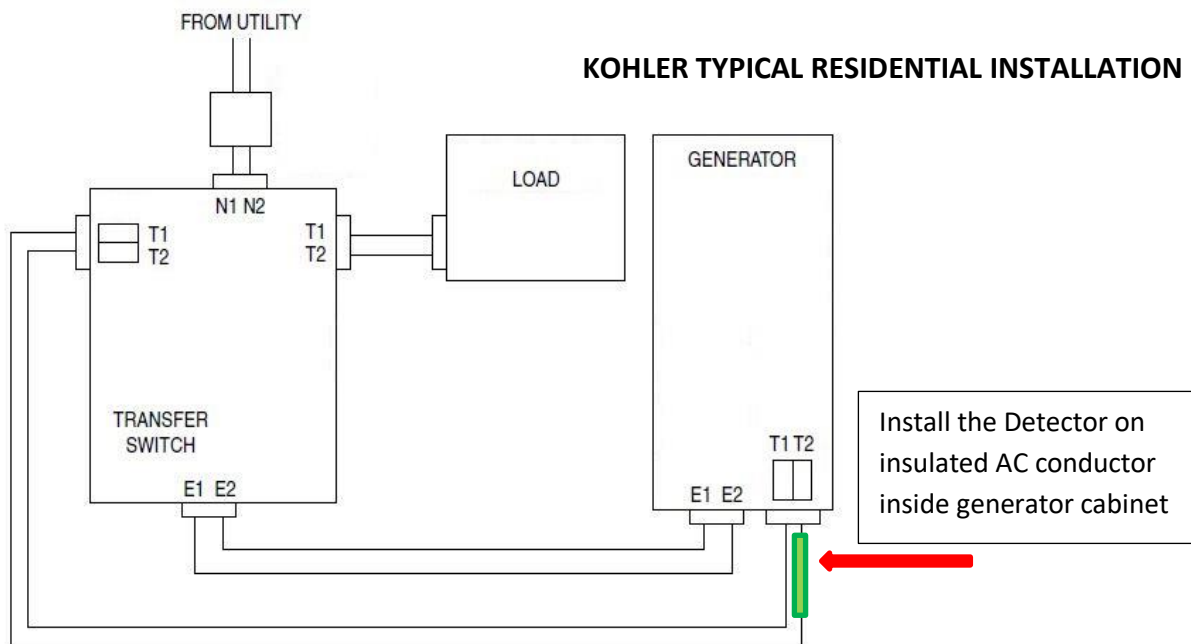
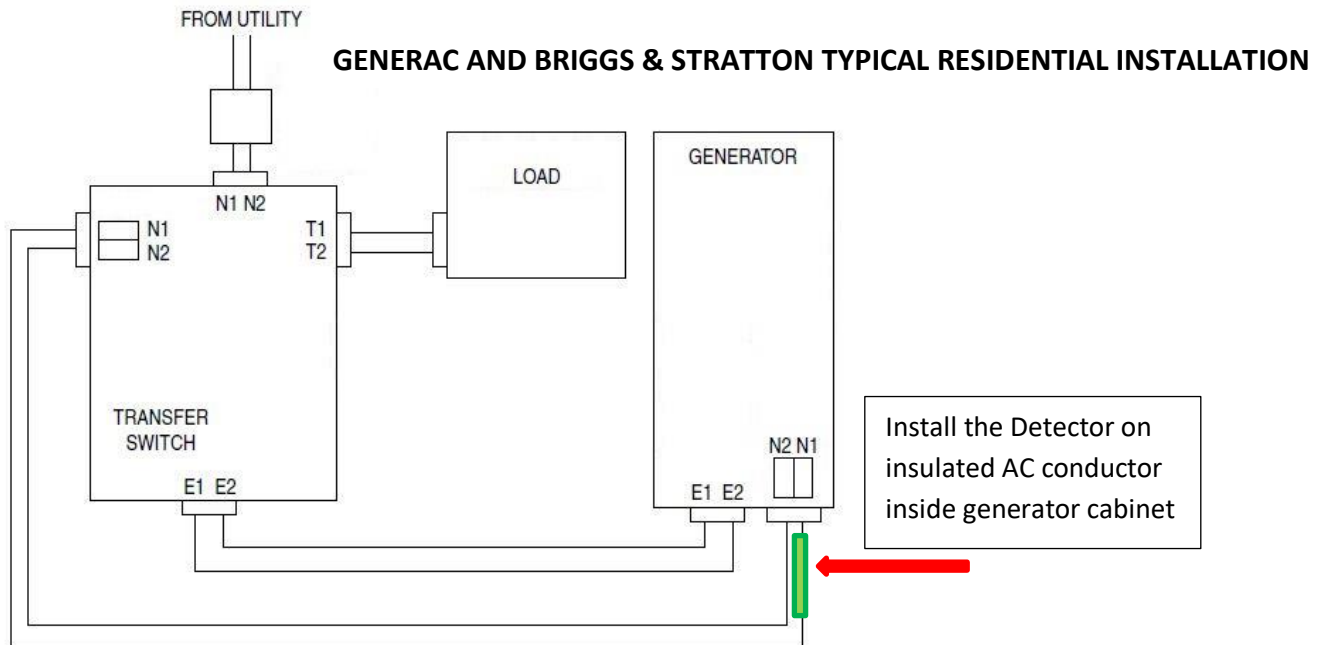


The AC Detector provides an indication of whether or not an AC Voltage is present on the generator (emergency), and/or building (load) outputs.

The H900 Current Switch is activated when generator output current is above 1.5 Amps – indicating generator provided load.

Installation:

1. Attach the AC Detector with wire ties to the insulated “hot” conductor of an AC normal, generator (emergency) or building (load) output line. See diagrams below for an example of where to connect on a typical generator installation.



- The kit should be attached with the bottom side of the conductor resting on the wire insulation for the whole length of the detector. When installed correctly, you should be able to read the OmniMetrix® lettering on the circuit board. The wire ties should be snugged up tight.



Front View – OmniMetrix label showing



Rear View – AC Conductor on back of Detector

- Connect the AC Detector Kit RED wire to the GRAY alarm wire on the OmniMetrix Monitor and the AC Detector Kit BLACK wire to the BLACK wire on the OmniMetrix Monitor.

Please allow extra time for installation.

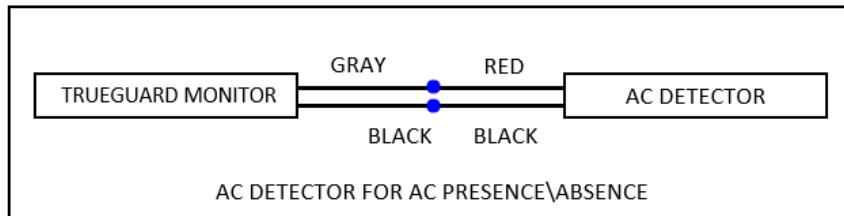


Figure 1



Figure 2

- If the supplied AC Detector has a YELLOW wire attached, wrap it around the monitored conductor as shown in Figure 1. Then, secure the YELLOW wire in place with electrical tape as shown Figure 2. The direction of wrapping is unimportant.

Hawkeye H900

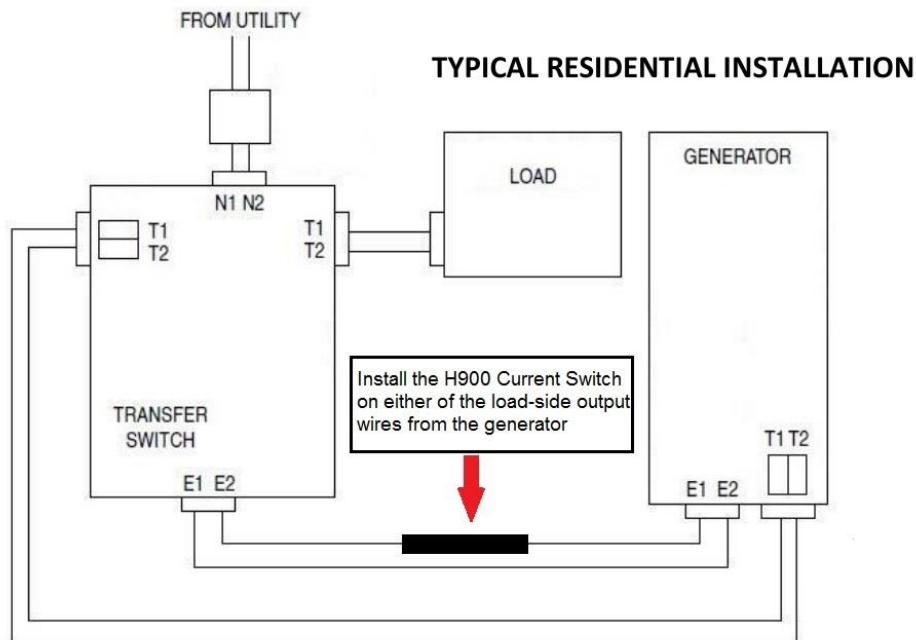
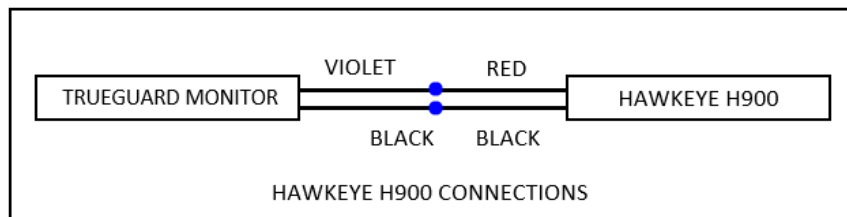


Disconnect power to the enclosure containing the conductor to be monitored.

1. Locate a surface for the removable mounting bracket that will allow the monitored conductor to pass through the center window when it is installed and that will keep the product at least ½" (13mm) from an uninsulated conductors. Determine cable routing for the controller connection, allowing wiring to reach the mounting location.
2. Drill holes to mount the bracket to the chosen surface using the included screws.
3. Wire the output connections between the sensor and the controller (solid-state contact).
4. Snap the sensor over the wire to be monitored and clip the assembly to the mounting bracket.
5. Secure the enclosure and reconnect power.

Connect the Current Sensing Relay around either of the load side output wires from the generator.

Connect the Hawkeye RED wire to the VIOLET alarm wire on the OmniMetrix monitor and the Hawkeye BLACK wire to the BLACK wire on the OmniMetrix monitor.



If you have any questions, please call OmniMetrix Tech Support at 770-209-0012 or email at techsupport@omnimetrix.net.